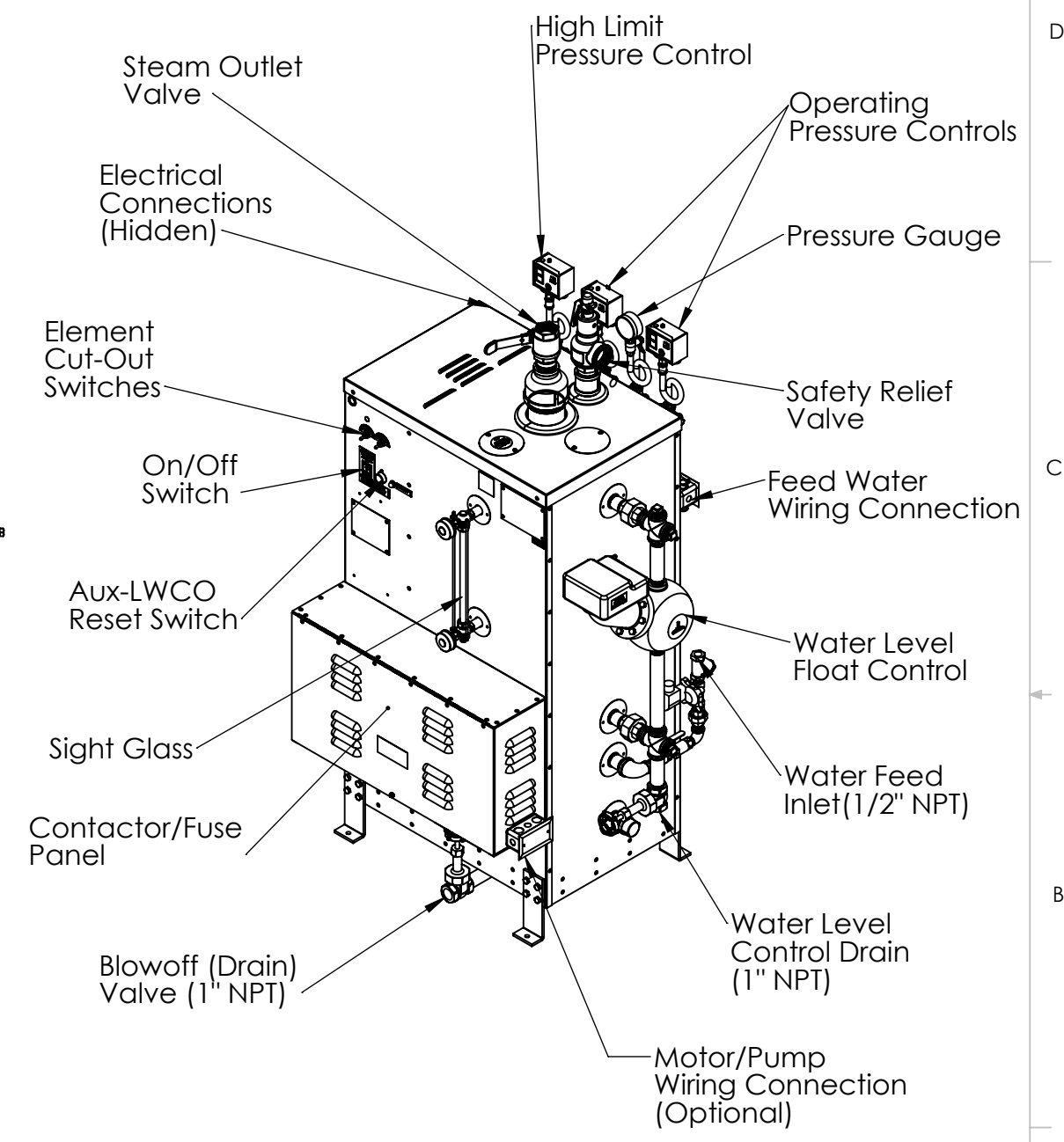


Rev.	Date	ECN	Desc.	Auth.
1	1/19/22	xxxx	Initial Drawing	E.Z



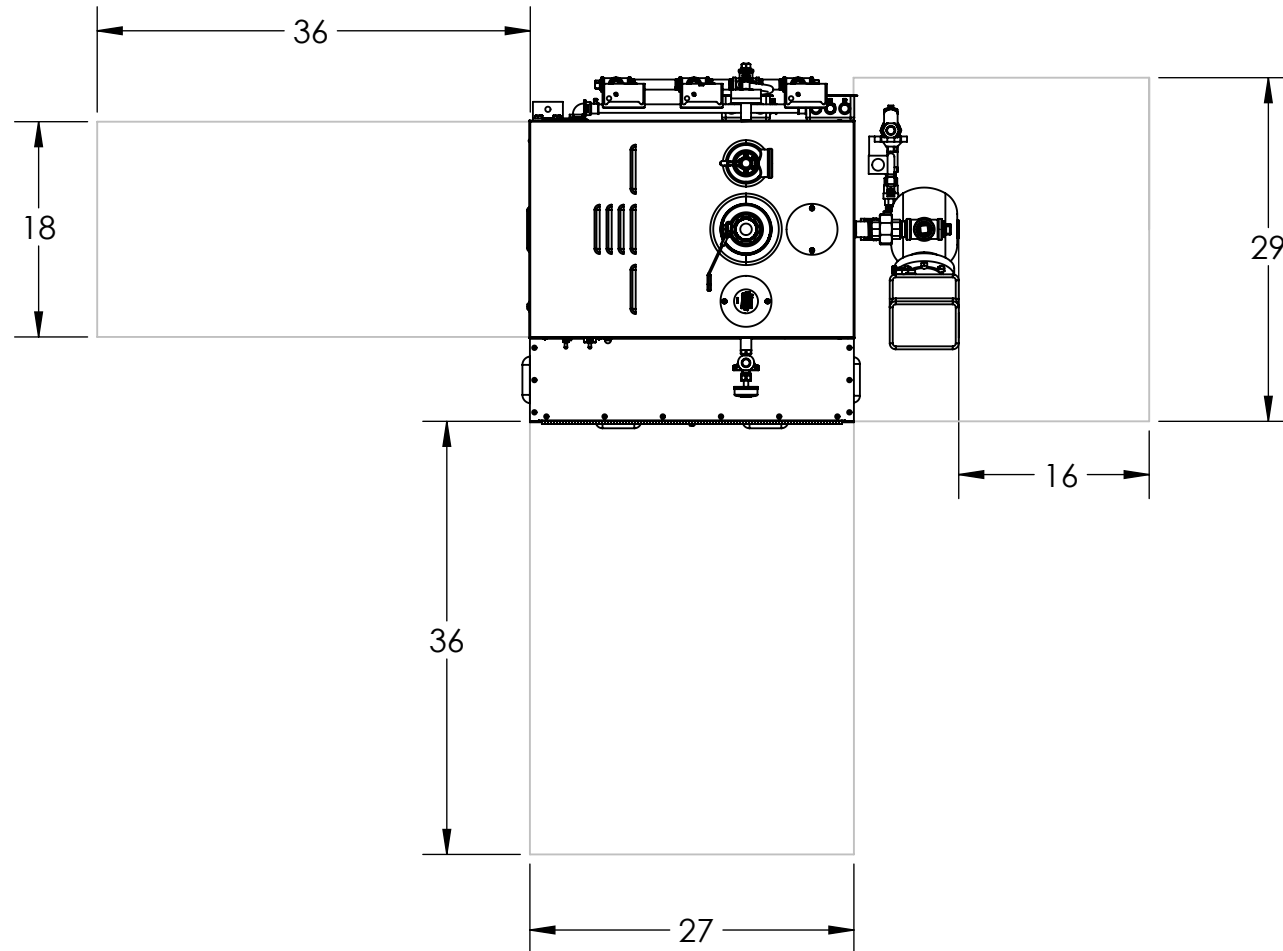
Notes:

- For ES135 to ES180, 15, 50, and 100 psi trims, 380V, 415V, 480V & 600V, 3 phase
- Boiler is UL listed to standard 834
- Materials of construction:
 - Vessel and Piping: Carbon Steel
 - Jacket: Stainless Steel
- Pressure vessel built in accordance with ASME Section 1 and carries an "M" stamp
- Completed boiler is built in accordance with ASME Section 1 and carries an "E" Stamp
- Refer to Technical Data Sheet at www.sussmanboilers.com for more information

NAME	DATE	SUSSMAN-AUTOMATIC CORPORATION 43-20 34TH STREET, LONG ISLAND CITY, NEW YORK 11101
DRAWN E.Z	1/19/22	
ENG APPR. X	X	TITLE: ES135-180 Electric Steam Boiler, 15psi, 50psi, and 100psi, 380V, 415V, 480V & 600V, 3ph
DIMENSIONS ARE IN INCHES TOLERANCES: (EXCEPT AS NOTED) FRACTIONAL ± 1/64 ANGULAR: ± 1°		SIZE DWG. NO. B ES135-ES180
SCALE: 1:16		SHEET 1 OF 2

Service Clearance Requirements

Rev.	Date	ECN	Desc.	Auth.
1	1/19/22	xxxx	Initial Drawing	E.Z



Boiler	kW	Pressure	Elements	Voltage	Amp Draw	Control Voltage	Steam Flowrate (lbs/hr)	Feed Water Consumption (GPM)	Recommened Min. Feed Water Rate (gpm)
ES135	142	15 50 100	8 x 18kw	380	216	240	433	0.87	2.6
				415	198	120			
				480	171	120			
				600	137	120			
ES160	157.5		7 x 22.5kw	380	240	240	475	0.95	2.9
				415	219	120			
				480	190	120			
				600	152	120			
ES180	180		8 x 22.5kw	380	274	240	542	1.09	3.3
				415	251	120			
				480	217	120			
				600	173	120			

Boiler	Total Volume (gal)	Operating Volume (gal)	Dry Weight	Wet Weight	Shipping Weight	Steam Outlet Size (NPT)	Water Feed Inlet Size (NPT)	Drain Outlet Size (NPT)	Safety Valve Outlet Size (NPT)
ES135	36.5	22.8	638	836	720	1-1/2" (15)	1/2"	1"	1-1/2" (15)
ES160						1" (50 & 100)			1" (50)
ES180						1" (50 & 100)			1-1/4" (100)

Note: All weights do not include options. See option drawings for additional weights

- Notes:
1. Minimum 1" clearance to all combustibile materials
 2. Service clearances to be in conformance to NEC requirements

NAME	E.Z	DATE	1/19/22	SUSSMAN-AUTOMATIC CORPORATION 43-20 34TH STREET, LONG ISLAND CITY, NEW YORK 11101 TITLE: ES135-180 Electric Steam Boiler, 15psi, 50psi, and 100psi, 380V, 415V, 480V&600V, 3ph SIZE DWG. NO. B ES135-ES180 SCALE: 1:16 SHEET 2 OF 2
DRAWN	E.Z	DATE	1/19/22	
ENG APPR.	X	DATE	X	

DIMENSIONS ARE IN INCHES
 TOLERANCES: (EXCEPT AS NOTED)
 FRACTIONAL ± 1/64
 ANGULAR: ± 1°